

Easy Tile Hook Installation Guidelines

Installing the Easy Tile Hook on a clay or ceramic tile roof

NOTE:
 Easy Tile Hooks are to be used only on parallel-to-roof arrays.

Easy Tile Hooks can be attached to the roof using “Decking Attached Fasteners” (see below) and without locating any rafters; however, the decking beneath the substrate must be of adequate thickness for a given type of material. Please consult a local engineer or fastener manufacturer for additional guidance if needed.

These guidelines begin after the mounting locations have been marked for each of the Easy Tile Hooks to be installed. For questions about layout see our publication “Power Rail™ Design Guidelines”.

Decking Attached Fasteners:

Decking Attachment Fasteners are typically supplied by DPW Solar/POWER-FAB® with the specific support as a kit. The specific fasteners supplied are RSS™ screws from the GRK Fasteners Company. GRK provides excellent documentation of their fasteners' capacities, including references to ICC-ES™ testing and selection criteria for various decking substrates. DPW provides the RSS screws in the PHEINOX™ configuration with 1/4" diameter. For additional information, please reference:

http://www.grkfasteners.com/en/selection_guide_RSS.htm

Each Easy Tile Hook kit includes the following items. If any items are missing, call us toll free at 800-260-3792.

Qty	Description
1	Easy Tile Hook with pre-applied butyl mastic
8	1/4" x 2" RSS PHEINOX stainless steel screws (longer screws available when specified)
8	1/4" Neoprene bonded stainless steel washers

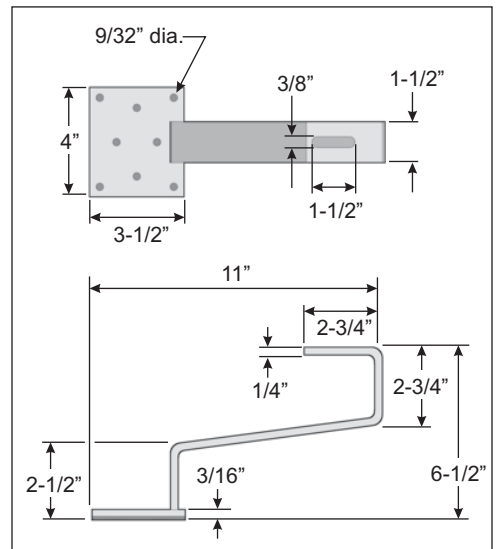


Figure 1: Easy Tile Hook Dimensions

Preparing and Attaching the Easy Tile Hook to Substrate

Installing the Easy Tile Hook requires the removal of tile to access the roof substrate. The Easy Tile Hook is secured to the roof substrate with eight fasteners and sealed via a butyl mastic seal.

- A. Remove the tile.
- B. Peel off protective paper from bottom of Easy Tile Hook, exposing butyl mastic sealant.
- C. Align Easy Tile Hook with pre-determined mounting point and press it firmly to stick to roof.
- D. Install the neoprene bonded washers onto the RSS *PHEINOX* screws with the rubber side down.
- E. Drive the RSS *PHEINOX* screws into the substrate until the neoprene rubber protrudes from the washer edges.
- F. Replace tile.

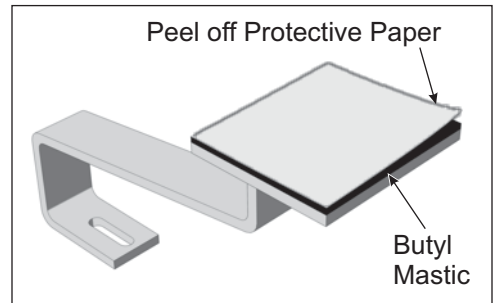


Figure 2: Remove Protective Paper

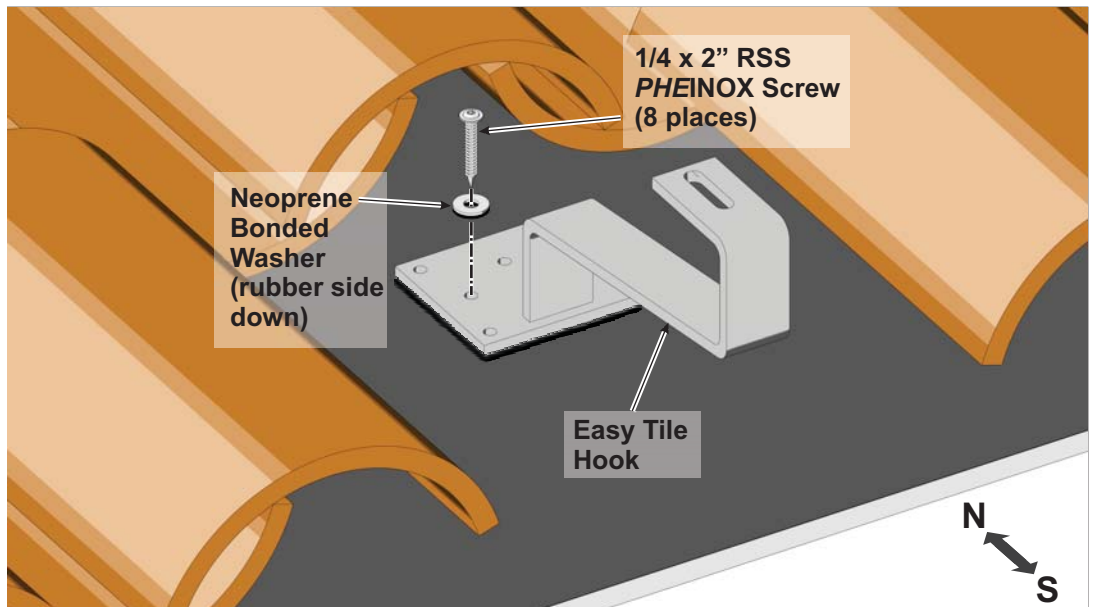


Figure 3: Attaching Easy Tile Hook to Roof Substrate

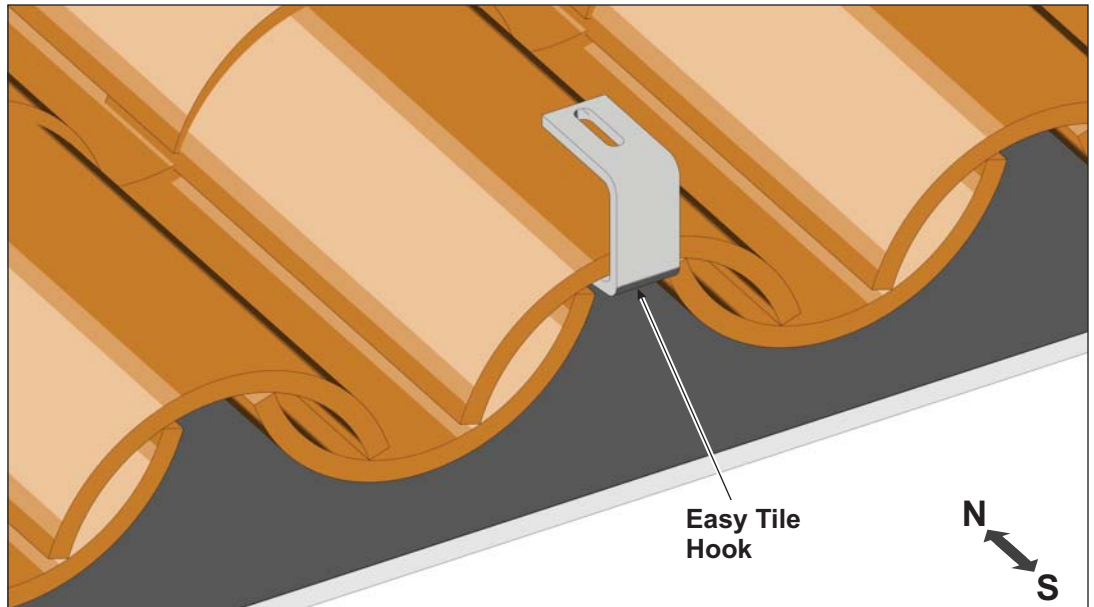


Figure 4: Installed Easy Tile Hook



4000-B Vassar Drive NE
Albuquerque, New Mexico 87107
USA

Telephone: 800.260.3792
Fax: 505.889.3548
Web Site: www.DPWSolar.com
E-mail: info@power-fab.com

© 2011 Preformed Line Products
PCN 060111-1
Version 1, Rev B