

Easy Power Post™ Installation Guidelines

Installing Easy Power Post on a composition shingle or metal roof

Easy Power Posts can be attached to the roof using “Decking Attached Fasteners” (see below) and without locating any rafters; however, the decking beneath the substrate must be of adequate thickness for a given type of material. Please consult a local engineer or fastener manufacturer for additional guidance if needed.

These guidelines begin after the mounting locations have been marked for each of the Easy Power Posts to be installed. For questions about layout see *Power Rail™ Design Guidelines*.

Decking Attached Fasteners:

Decking Attachment Fasteners are typically supplied by DPW Solar/POWER-FAB® with the specific support as a kit. The specific fasteners supplied are from the GRK Fasteners Company, and is an RSS™ screw. GRK provides excellent documentation of their fasteners' capacities, including references to ICC-ES™ testing and selection criteria for various decking substrates. DPW provides the RSS screws in the *PHEINOX™* configuration with 1/4" diameter. For additional information, please reference:

http://www.grkfasteners.com/en/selection_guide_RSS.htm

Each Easy Power Post kit includes the following items. If any items are missing, call us toll free at 800-260-3792.

Qty	Description
1	Easy Power Post with pre-applied butyl mastic
1	5/16" x 1" Stainless steel hex bolt (when ordered with Power Rail P6 Extrusion)
1	5/16" Stainless steel lock washer (when ordered with Power Rail P6 Extrusion)
1	5/16" Stainless steel flat washer (when ordered with Power Rail P6 Extrusion)
6	1/4" x 2" RSS <i>PHEINOX</i> stainless steel screws (longer screws available when specified)
6	1/4" Neoprene bonded stainless steel washers

Preparing and Attaching Easy Power Post to Substrate

- A. From the bottom of Easy Power Post, peel off the protective paper backing that protects the butyl mastic. (See Figure 1)
- B. Align the Easy Power Post to the substrate and press firmly, sticking it to the substrate. (See Figure 2)
- C. Install the neoprene bonded washers onto the RSS *PHEINOX* screws with the rubber side down. (See Figure 2)
- D. Drive the RSS *PHEINOX* screws into the substrate until the neoprene rubber protrudes from the washer edges.

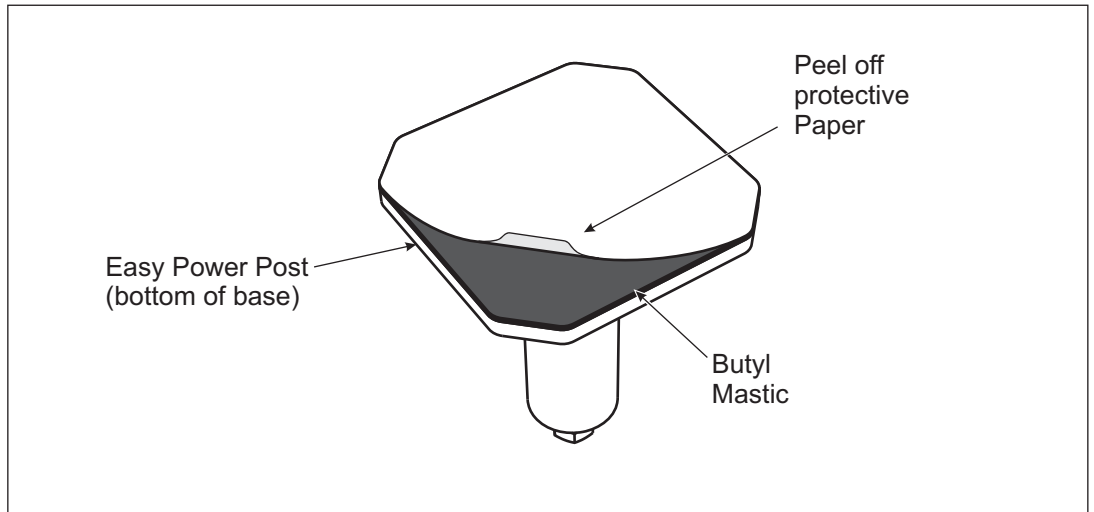


Figure 1: Removing Protective Paper

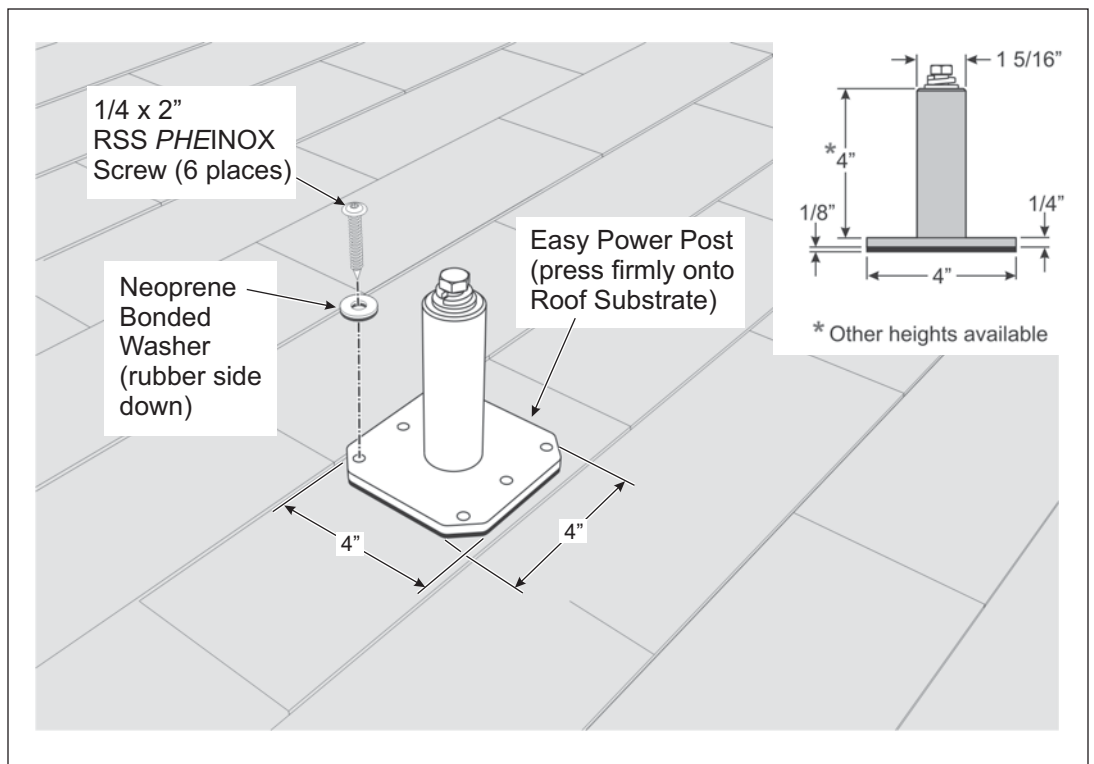


Figure 2: Securing the Easy Power Post to Roof



4000-B Vassar Drive NE
Albuquerque, New Mexico 87107
USA

Telephone: 800.260.3792
Fax: 505.889.3548
Web Site: www.DPWSolar.com
E-mail: info@power-fab.com

© 2011 Preformed Line Products
PCN 060111-8
Version 1, Rev D